

2020 Catalogue

INDIA'S LEADING SELLER OF
INJECTION MOULDED PALLETS



MATERIAL HANDLING PALLETS

About Us

Incorporated in the year 2009, Eco Solutions carved a niche as the leading supplier of the wide range of Heat treated wooden pallets, crates, boxes and export packaging solutions across India.

We soon realised the need for plastic pallets and now have a wide range for export and warehouse applications. With a supply capacity of more than 1000 pallets per day, we are able to offer excellent product quality at competitive prices at any given time.

We understand the challenges involved in international shipments and the knowledge required to transport the consignment in the safest possible manner.

Eco Solutions customize pallets to suit varied needs of our customers and bring you the best in packaging! Our Products and services ensure hassle free business and reliability and we believe in carrying our business on ethical lines with friendly relations with our customers ensuring that they can rely on us once their orders are placed.

Today we are recognized for excellent product quality, good communication and on time deliveries. Our clients refer to us as

“A PROFESSIONAL ONE STOP SHOP FOR PACKAGING SOLUTIONS”.

Advantages of Plastic Pallets Over Wood Pallets

Look around any retail store, and you'll see hundreds or thousands of products carefully displayed. It's likely that each one of them was delivered on either a wooden or plastic pallet. There are advantages to both types, but plastic has become the most dependable due to its durability, cleanliness, and safety.

The next time you need to ship items in mass, consider the following 7 benefits of plastic pallets.

1. Lighter

Plastic pallets are 50%-70% lighter than wooden pallets. Businesses will save money in shipping fees since weight is included in cost. The lesser weight of these shipping containers translates to 30-35% less money out of your budget.

2. More Compact

Wooden pallets are bulky, making shipping more expensive. For organizational and efficiency purposes, they have to be stacked on top of one another. If the average wood pallet is 25cm high, and your warehouse has fourteen of them, the stack totals at 350cm, or three and a half meters tall. On the contrary, plastic ones don't have to be stacked. They are collapsible and can be stored away to save space.

3. Durability

One of the top benefits of plastic basins is their durability. Unlike wood, plastic does not break. Wood splinters and snaps, while plastic ones are designed to be strong to withstand damage.

4. Cleanliness

Because plastic pallets aren't porous, they're easy to clean. Pallet owners simply have to spray them off with a water hose. You can't spray off wooden pallets. Wet, wooden pallets attract termites and grow fungus. Overtime, warehouse managers will waste money by continuously replacing wooden storage due to damage.

5. Flexibility

Flexible storage allows you to put a variety of goods on a single pallet, improving efficiency and reducing the amount you have to ship. Wooden pallets do not have dividers, so you can only put one type of product on them. Having dividers allows you to be able to pack a variety of goods and capitalize on the space at hand.

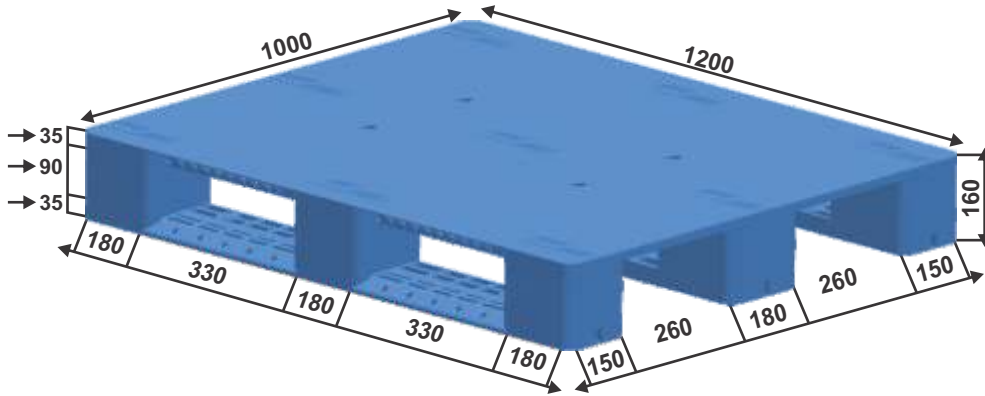
6. Eco-Friendly

Many organizations who want to be eco-friendly have invested in plastic pallets. Plastic is 100% recyclable. If it gets damaged at all, its parts can be recycled and used again. The same can't be said for wood. Once they're damaged or infested with termites, they are deemed unusable.

7. Safe

Plastic pallets don't have nails or sharp edges. They are usually constructed in one solid piece, which makes it less likely to have weak spots in the joints. They also don't have nails or screws in them that can harm handlers.

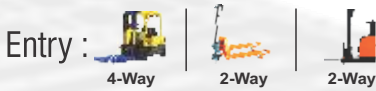
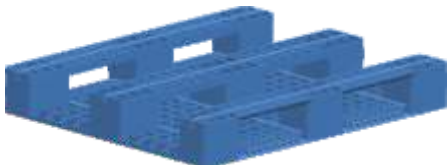
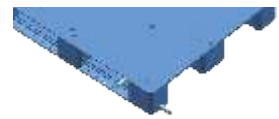
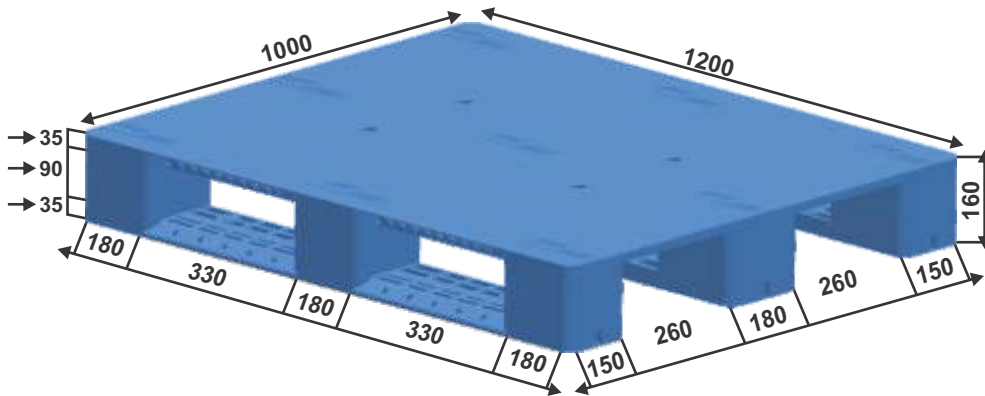
New Model



ECO-SWK-021

Material : HDPE / PP	Dynamic : Upto 1000 kg Unified Load
Dimension : 1200 x 1000 x 160 mm	Racking : Upto 700-1000 kg Unified Load
Static : 4000 kg Unified Load	Top Surface : Plain 3 Runner

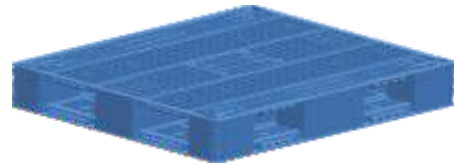
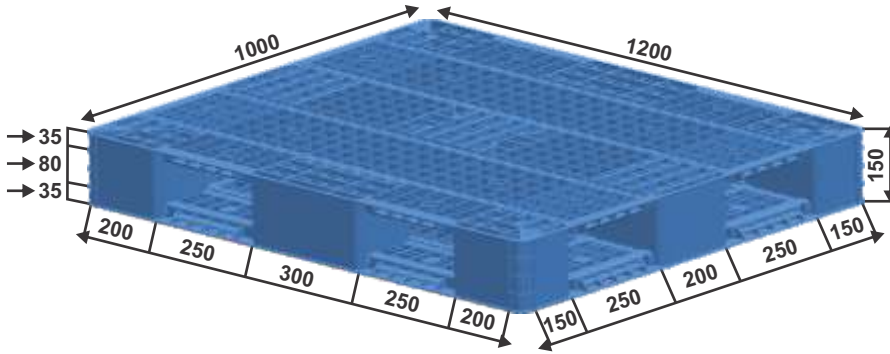
New Model



ECO-SWK-022 With Steel Bones

Material : HDPE / PP	Dynamic : Upto 1200 kg Unified Load
Dimension : 1200 x 1000 x 160 mm	Racking : Upto 1200 kg Unified Load
Static : 6000 kg Unified Load	Top Surface : Plain 3 Runner

New Model

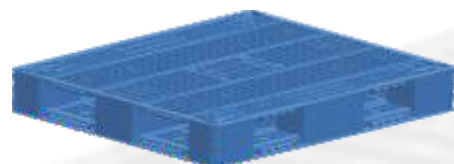
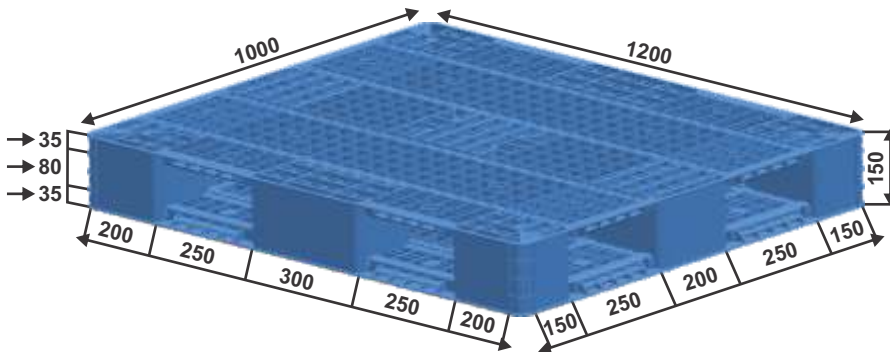


Entry : 
4-Way

ECO-SWK-023

Material :	HDPE / PP	Dynamic :	Upto 1000 kg Unified Load
Dimension :	1200 x 1000 x 160 mm	Racking :	Upto 800-1000 kg Unified Load
Static :	4000 kg Unified Load	Top Surface :	Perforated Double Deck

New Model

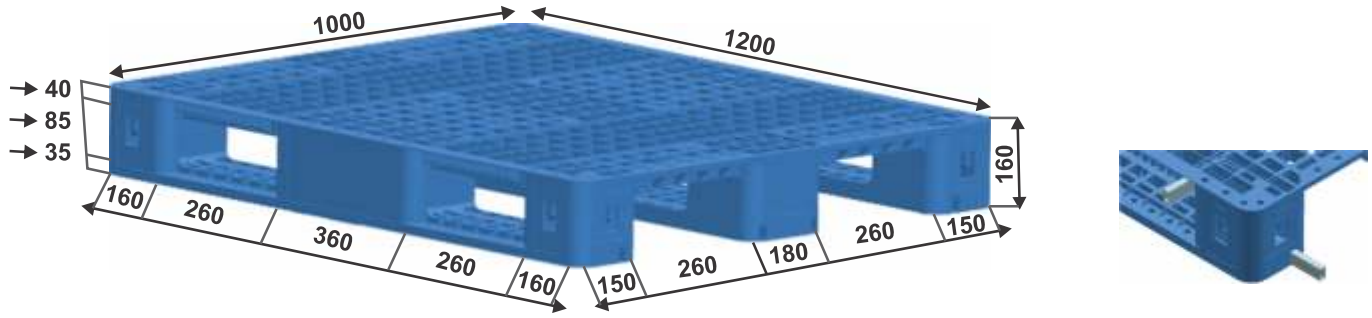


Entry : 
4-Way

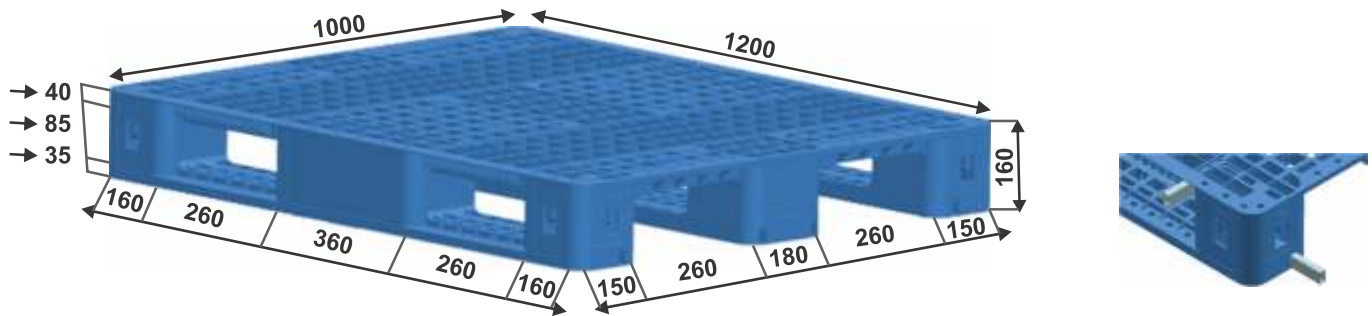
ECO-SWK-024

With Steel Bones

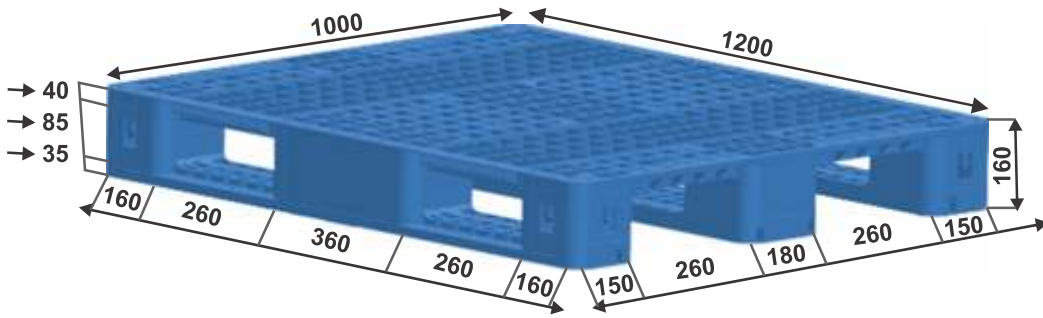
Material :	HDPE / PP	Dynamic :	Upto 1200 kg Unified Load
Dimension :	1200 x 1000 x 150 mm	Racking :	Upto 1200 kg Unified Load
Static :	6000 kg Unified Load	Top Surface :	Perforated Double Deck


ECO-SWK-001 HW
With Steel Bones

Material : HDPE / PP	Dynamic : Upto 1500 kg Unified Load
Dimension : 1200 x 1000 x 160 mm	Racking : Upto 1500 kg Unified Load
Static : 6000 kg Unified Load	Top Surface : Perforated 3 Runner

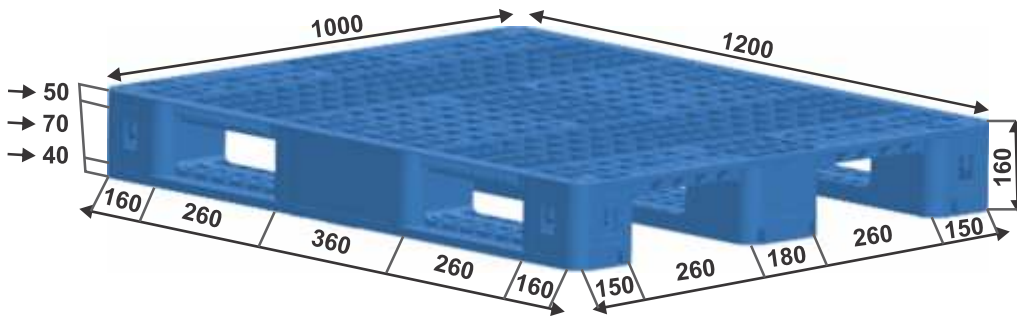

ECO-SWK-001
With Steel Bones

Material : HDPE / PP	Dynamic : Upto 1200 kg Unified Load
Dimension : 1200 x 1000 x 160 mm	Racking : Upto 1200 kg Unified Load
Static : 6000 kg Unified Load	Top Surface : Perforated 3 Runner



ECO-SWK-002

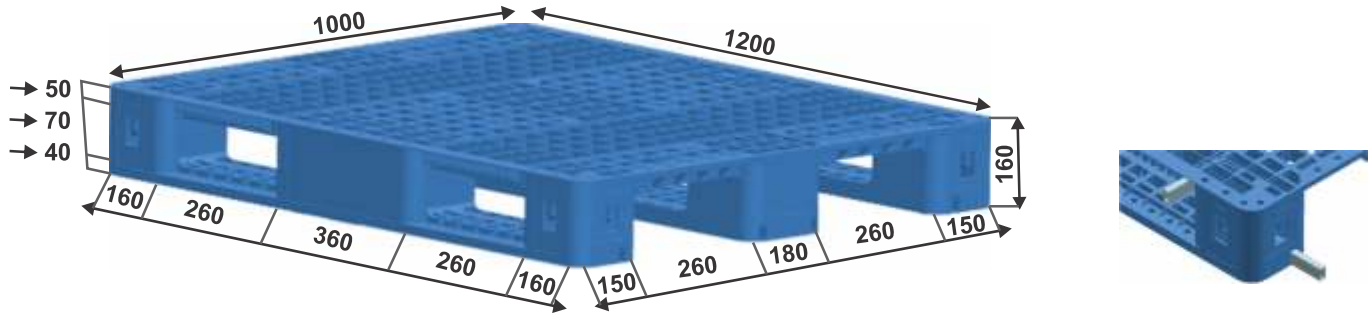
Material :	HDPE / PP	Dynamic :	Upto 1000 kg Unified Load
Dimension :	1200 x 1000 x 160 mm	Racking :	Upto 1000 kg Unified Load
Static :	4000 kg Unified Load	Top Surface :	Perforated 3 Runner



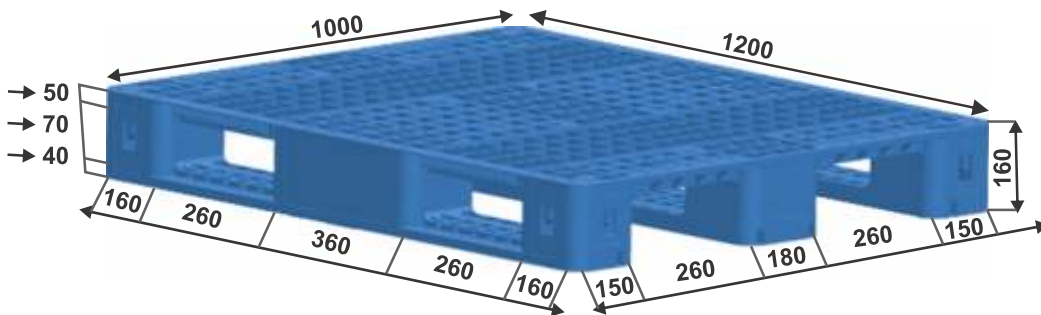
ECO-SWK-003 HW

With Steel Bones

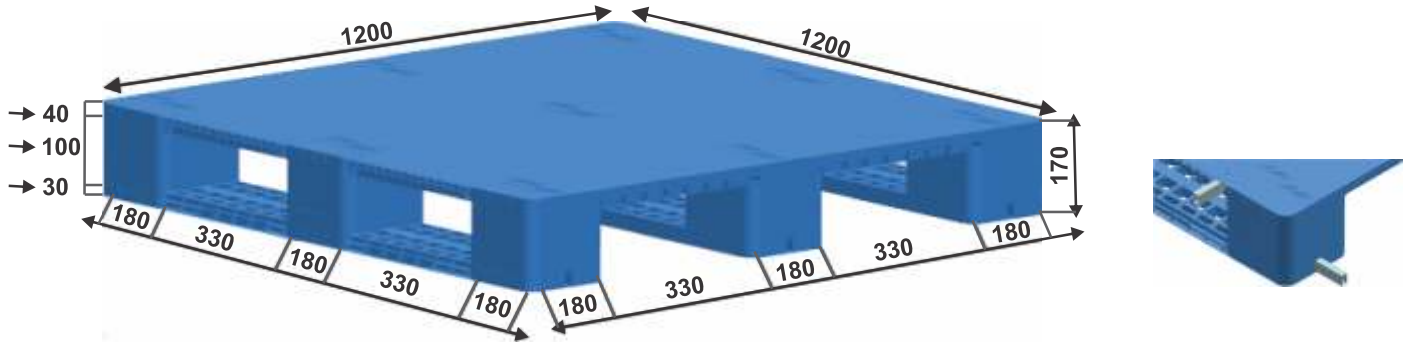
Material :	HDPE / PP	Dynamic :	Upto 1200 kg Unified Load
Dimension :	1200 x 1000 x 160 mm	Racking :	Upto 1200 kg Unified Load
Static :	6000 kg Unified Load	Top Surface :	Perforated 3 Runner


ECO-SWK-003
With Steel Bones

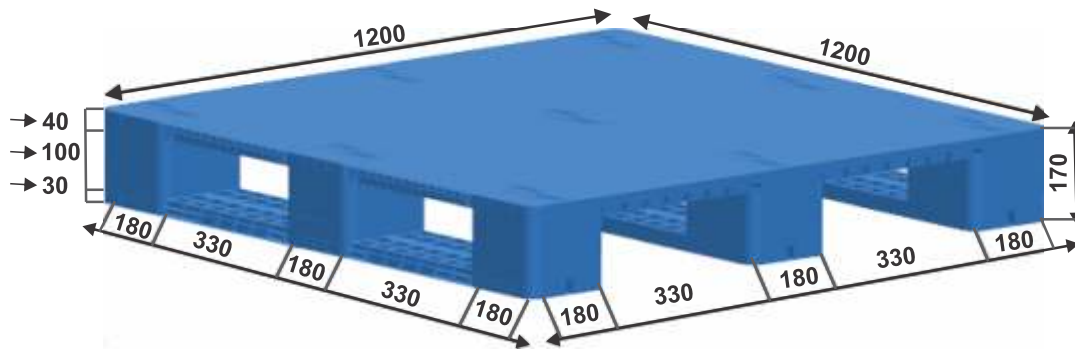
Material :	HDPE / PP	Dynamic :	Upto 1000-1200 kg Unified Load
Dimension :	1200 x 1000 x 160 mm	Racking :	Upto 1000-1200 kg Unified Load
Static :	4000-5000 kg Unified Load	Top Surface :	Perforated 3 Runner


ECO-SWK-004

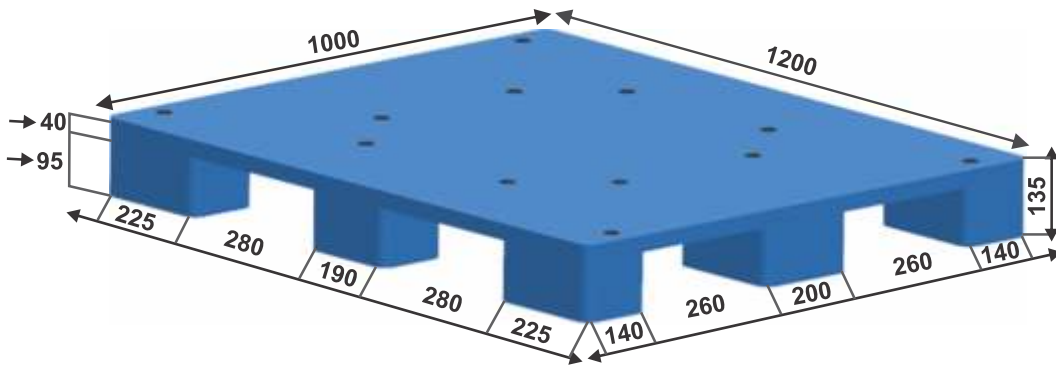
Material :	HDPE / PP	Dynamic :	Upto 750 kg Unified Load
Dimension :	1200 x 1000 x 160 mm	Racking :	N.A.
Static :	3000 kg Unified Load	Top Surface :	Perforated 3 Runner



ECO-SWK-005		With Steel Bones	
Material	: HDPE / PP	Dynamic	: Upto 1200 kg Unified Load
Dimension	: 1200 x 1200 x 170 mm	Racking	: Upto 1200 kg Unified Load
Static	: 6000 kg Unified Load	Top Surface	: Plain Top 3 Runner

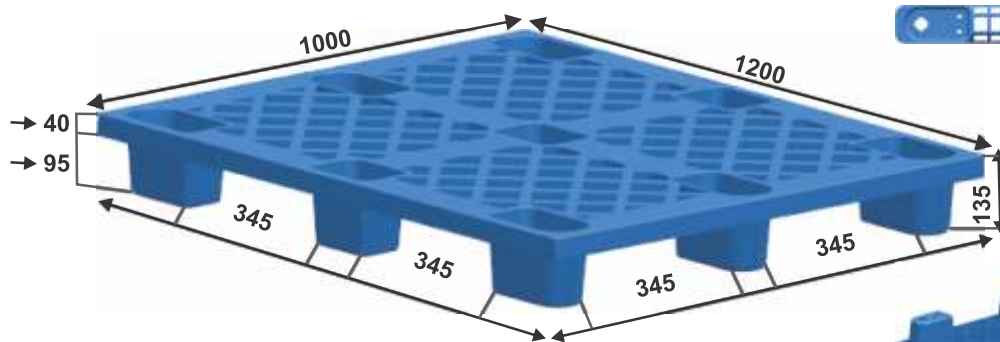


ECO-SWK-006			
Material	: HDPE / PP	Dynamic	: Upto 1000 kg Unified Load
Dimension	: 1200 x 1200 x 170 mm	Racking	: Upto 1000 kg Unified Load
Static	: 4000 kg Unified Load	Top Surface	: Plain Top 3 Runner



ECO-SWK-007

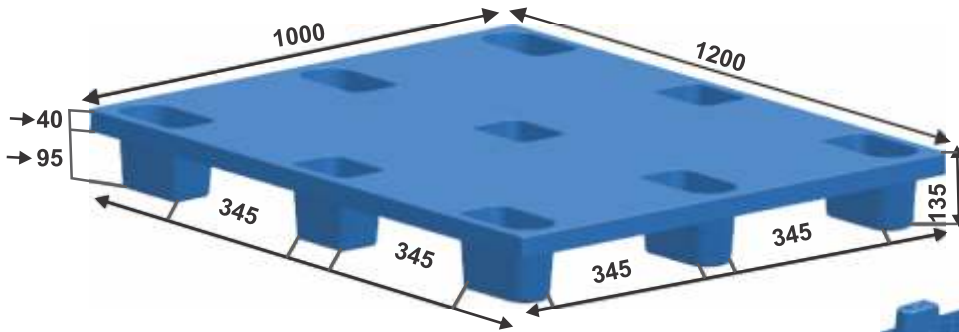
Material :	HDPE / PP	Dynamic :	Upto 750 kg Unified Load
Dimension :	1200 x 1000 x 135 mm	Racking :	N.A.
Static :	2500 kg Unified Load	Top Surface :	Plain Top 9 Legs



ECO-SWK-008

Skid Option Also Available (Export Purpose)

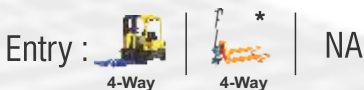
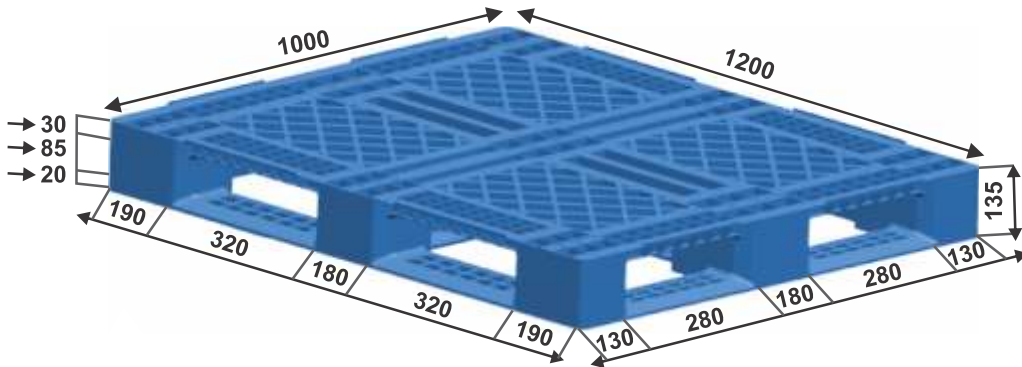
Material :	HDPE / PP	Dynamic :	Upto 1000 kg Unified Load (with wrapping)
Dimension :	1200 x 1000 x 135 mm	Racking :	N.A.
Static :	2000 kg Unified Load	Top Surface :	Perforated 9 Legs



ECO-SWK-009

Skid Option Also Available (Export Purpose)

Material : HDPE / PP	Dynamic : Upto 1000 kg Unified Load (with wrapping)
Dimension : 1200 x 1000 x 135 mm	Racking : N.A.
Static : 2000 kg Unified Load	Top Surface : Plain Top 9 Legs

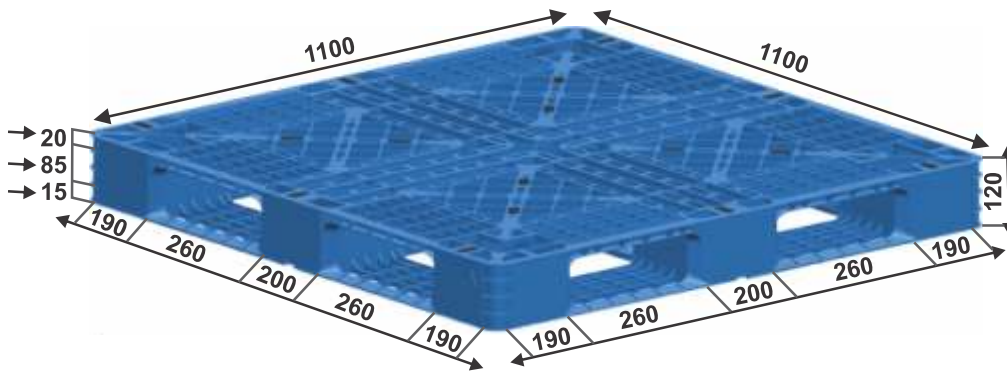


ECO-SWK-010

(Export Purpose)

Material : HDPE / PP	Dynamic : Upto 1000 kg Unified Load (with wrapping)
Dimension : 1200 x 1000 x 135 mm	Racking : N.A.
Static : 2000 kg Unified Load	Top Surface : Perforated 6 Runner

*All HPT's Upto 65mm are Compatible.

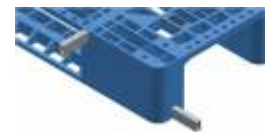
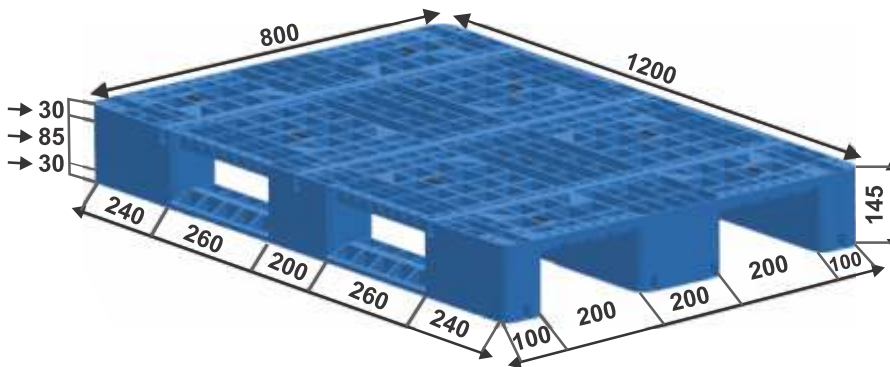


Entry :  4-Way |  4-Way* | NA

ECO-SWK-011
(Export Purpose)

Material :	HDPE / PP	Dynamic :	Upto 1000 kg Unified Load (with wrapping)
Dimension :	1100 x 1100 x 120 mm	Racking :	N.A.
Static :	2000 kg Unified Load	Top Surface :	Perforated 6 Runner

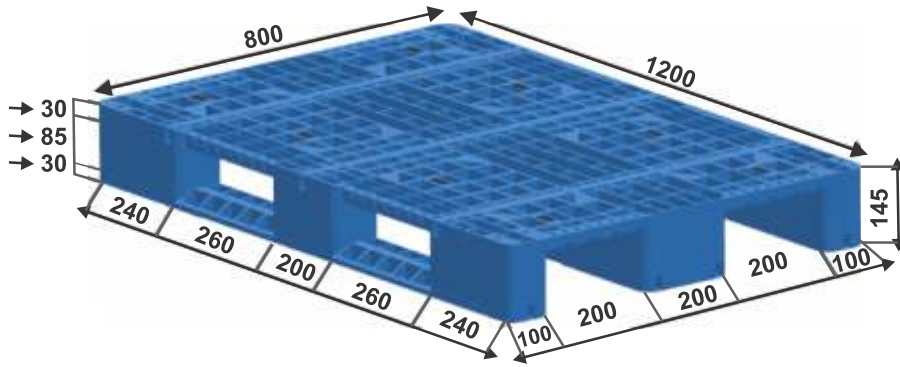
*All HPT's Upto 65mm are Compatible.



Entry :  4-Way |  2-Way |  2-Way

ECO-SWK-012
With Steel Bones

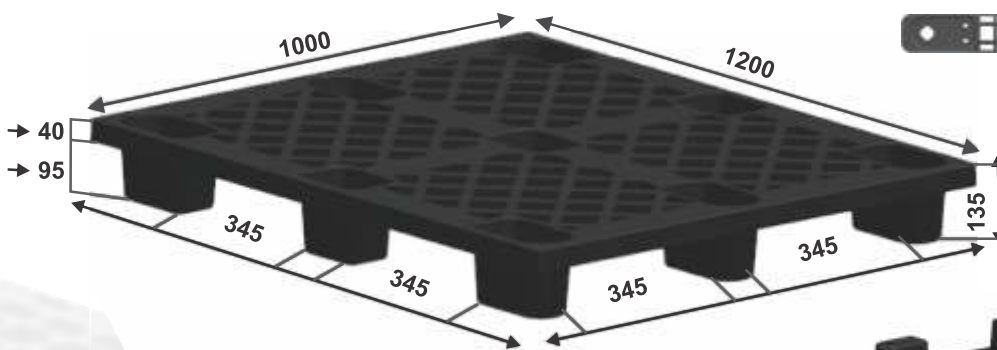
Material :	HDPE / PP	Dynamic :	Upto 750 kg Unified Load
Dimension :	1200 x 800 x 145 mm	Racking :	Upto 500 kg Unified Load
Static :	2500 kg Unified Load	Top Surface :	Perforated 3 runner



ECO-SWK-013 (Export Purpose)

Material :	HDPE / PP	Dynamic :	Upto 1000 kg Unified Load (with wrapping)
Dimension :	1200 x 800 x 145 mm	Racking :	N.A.
Static :	2000 kg Unified Load	Top Surface :	Perforated 3 Runner

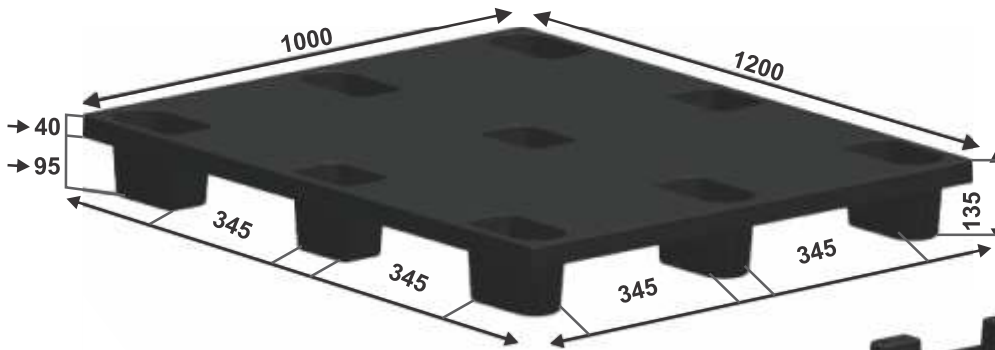
One time use only.



ECO-SWK-015 Skid Option Also Available

Material :	RE-Process, Export	Dynamic :	Upto 1000 kg Unified Load (with wrapping)
Dimension :	1200 x 1000 x 135 mm	Racking :	N.A.
Static :	2000 kg Unified Load	Top Surface :	Perforated 9 Legs

One time use only.

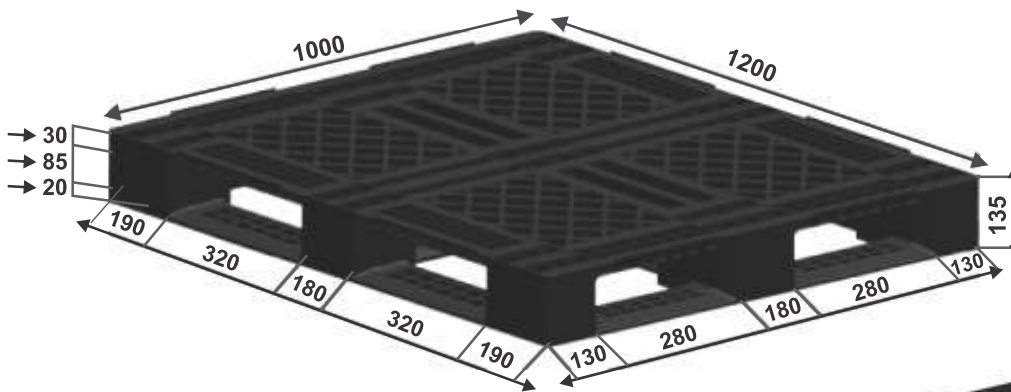


ECO-SWK-016

Skid Option Also Available

Material : RE-Process, Export	Dynamic : Upto 1000 kg Unified Load (with wrapping)
Dimension : 1200 x 1000 x 135 mm	Racking : N.A.
Static : 2000 kg Unified Load	Top Surface : Plain Top 9 Legs

One time use only.

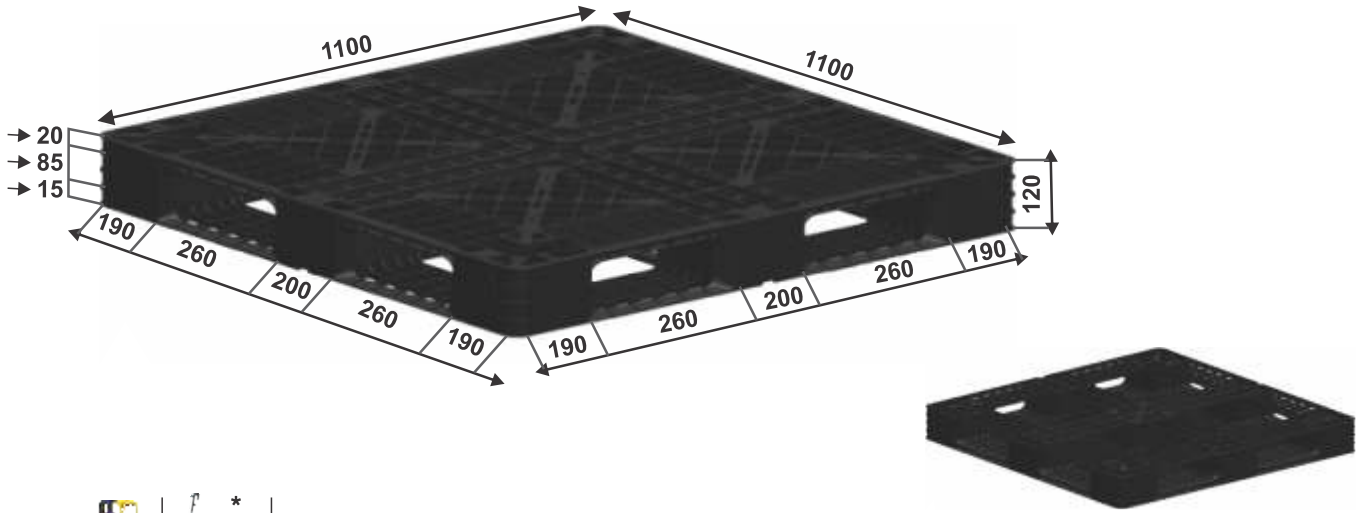


ECO-SWK-017

Material : RE-Process, Export	Dynamic : Upto 1000 kg Unifies Load (with wrapping)
Dimension : 1200 x 1000 x 135 mm	Racking : N.A.
Static : 2000 kg Unified Load	Top Surface : Perforated 6 Runner

*All HPT's Upto 65mm are Compatible.

One time use only.

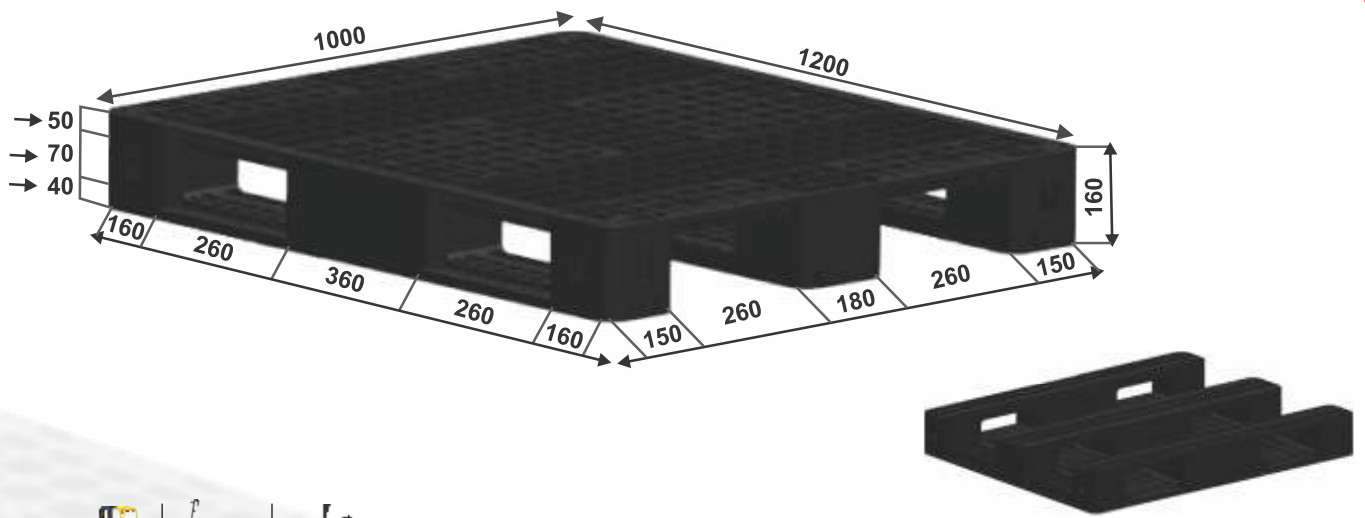





Entry :  4-Way |  4-Way* | NA

ECO-SWK-018	
Material : RE-Process, Export	Dynamic : Upto 1000 kg Unified Load (with wrapping)
Dimension : 1100 x 1100 x 120 mm	Racking : N.A.
Static : 2000 kg Unified Load	Top Surface : Perforated 6 Runner

*All HPT's Upto 65mm are Compatible.

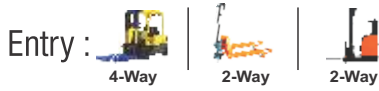
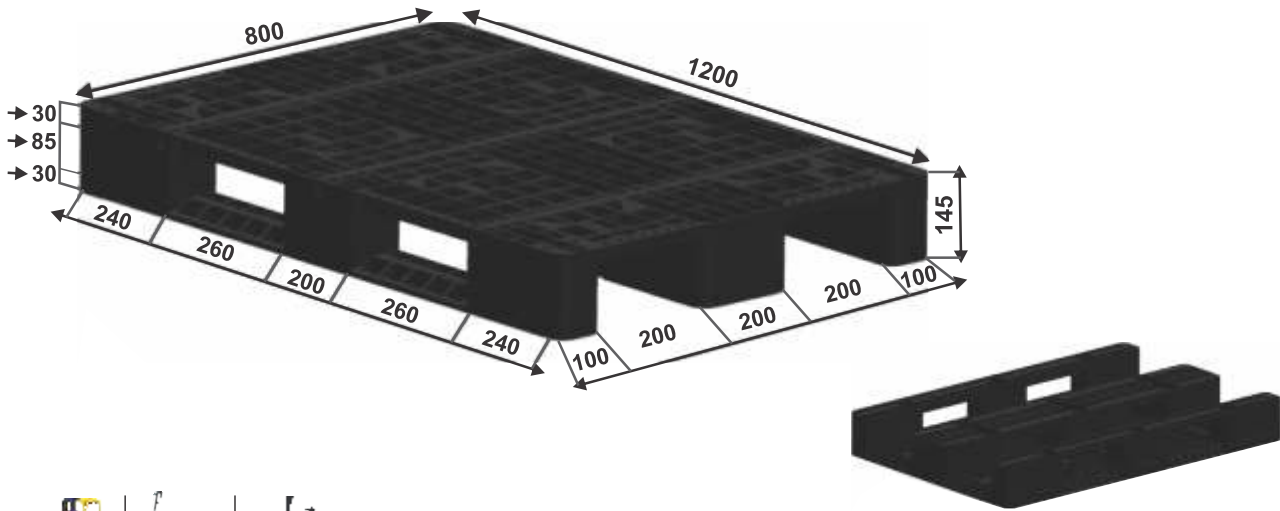
One time use only.



Entry :  4-Way |  2-Way |  2-Way

ECO-SWK-019	
Material : RE-Process, Export	Dynamic : Upto 1000 kg Unifies Load
Dimension : 1200 x 1000 x 160 mm	Racking : N.A.
Static : 2000 kg Unified Load	Top Surface : Perforated 3 Runner

One time use only.



ECO-SWK-020

Material	: RE-Process, Export	Dynamic	: Upto 1000 kg Unified Load (with wrapping)
Dimension	: 1200 x 800 x 145 mm	Racking	: N.A.
Static	: 2000 kg Unified Load	Top Surface	: Perforated 3 Runner

Racking Load



Static Load



Dynamic Load

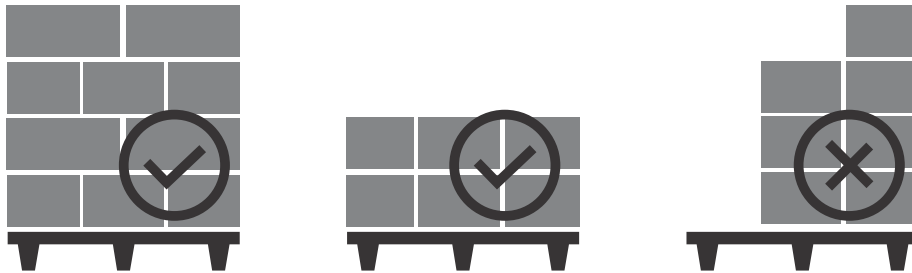


Stacking Load

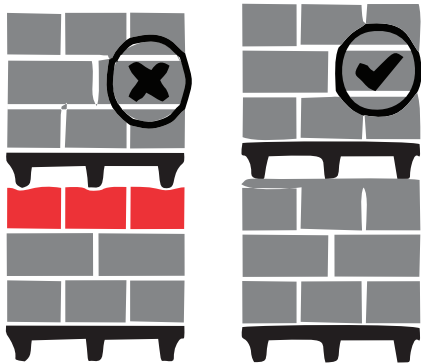


PALLET USAGE General Rules

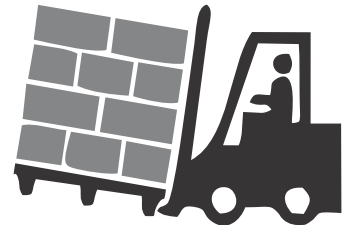
Always load goods in a uniformly distributed manner, layer by layer, for maximum stability.



When stacking soft goods in blocks, place a divider (eg. plywood) to prevent the top pallet from damaging the bottom goods (especially skidless pallets).



When using a forklift lift goods completely off the ground.

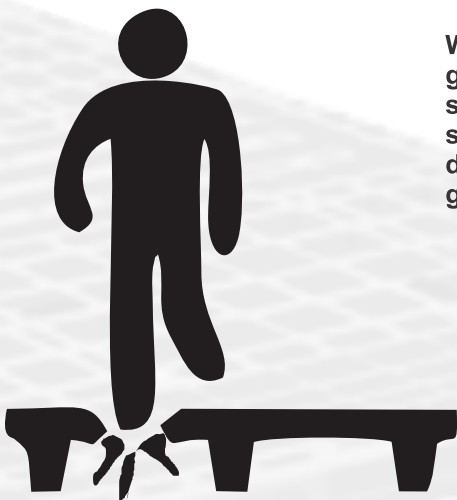
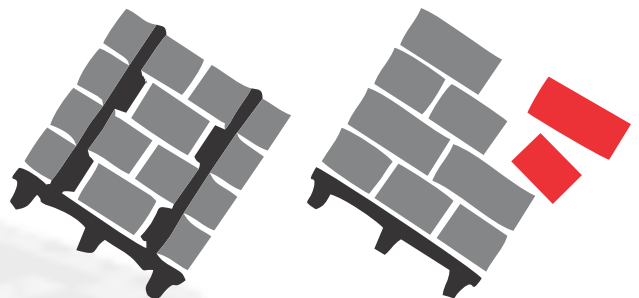


Ensure that fork has an appropriate length and angle.

Do not use a forklift to push pallets across the floor, as the legs will get damaged.



Where possible, secure goods with stretch/shrink wrap or strapping to prevent dislodging of goods.



Avoid applying foot pressure on pallets, or they may break.

Comparing to the wooden and steel pallets, plastic pallets has many advantages such as, light-weight, stability, high recycling value, long durability (5-7 times as that of wooden pallets), etc. They are applied in the fields of chemistry, petro chemistry, food, beverage, electric equipment, etc. Furthermore, our superb plastic pallets are ideal substitutes for wooden products keeping the environmental standard in mind too.

We adhere to provide good services and high quality products to our customers and our constant focus is to improve our equipment and technologies. We also welcome any kind of customization by our customers.

GST No : 29ACEPH8989D1Z4

IEC NO : 0712030786

Email : sales@ecosolution.in

Website: www.ecosolution.in

Whatsapp : +91 99860-41471, +91 98451-27500, +91 99164-65252

Office : # 392, 6th Block, 18th Main, Koramangala, Bangalore - 560095



ECO SOLUTIONS

Export Pallets & Packaging